

FANUC

Ultra-compact, fast and accurate



STRONG ARM
3 KG MAX PAYLOAD



BRAKE RELEASE SWITCH
ALLOWS EASY ERROR RECOVERY

NEW SCARA ROBOT

SR-3iA



INTEGRATED SERVICES
I/O, 24VDC, SOLENOID VALVES AND AIR LINES PREVENT INTERFERENCE CONTOURS



LIGHTWEIGHT DESIGN
ULTRACOMPACT FOOTPRINT AND ROBOT DESIGN MINIMISE INTERFERENCE WITH PERIPHERAL DEVICES



Next level of FANUC small robot line-up

- ultra-compact footprint and robot design minimises interference with peripheral devices
- highly suitable for assembly, packaging and material handling operations
- new R-30iB Compact Plus controller with minimum space requirements
- web based user interface (iRProgrammer) for intuitive and ease-of-use programming via tablet or PC (no iPendant Touch required)
- payload capacity of 3 kg - horizontal reach: 400 mm - vertical reach: 200 mm
- integrated services e.g. I/O, 24VDC, solenoid valves and air lines in the arm simplify integration and reduce costs
- bottom cable exit and wall mounting equipment optional available



WWW.FANUC.EU

SR-3iA

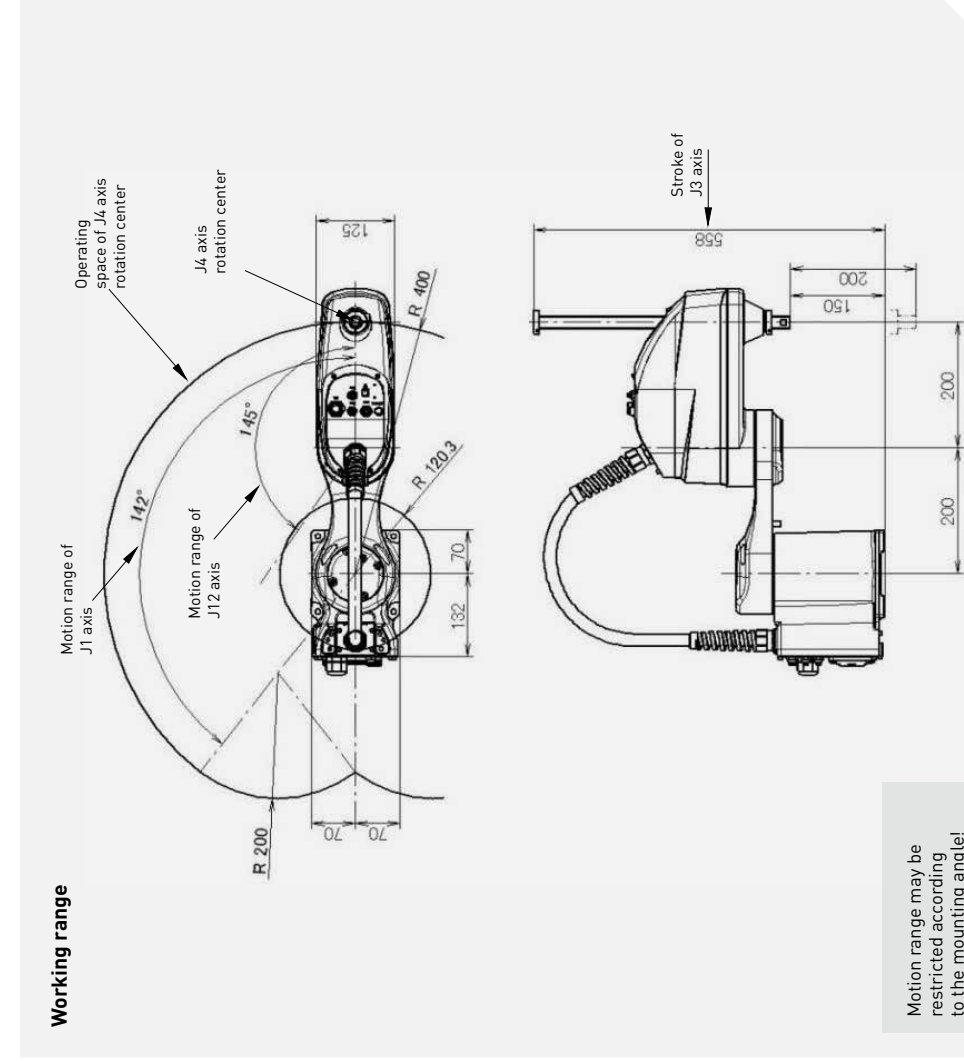
Max. load capacity
at wrist: **3kg**



Max. reach:
400 mm



Controlled axes	Repeatability (mm)	Mechanical weight (kg)	Motion range (°)						Maximum speed (°/s)						Inertia (kgm ²)	Inertia (kgm ²)	Inertia (kgm ²)	
			J1	J2	J3	J4	J5	J6	J1	J2	J3	J4	J5	J6				
4	±0.01 [J1,J2,J3] ±0.004 [J4]	19	284	290	200mm	720	720	-	-	-	-	780	3000	-	-	0.06	-	-



Motion range may be restricted according to the mounting angle!

Robot

- Robot footprint [mm] 140 x 202 (34.1)
- Mounting position Floor
- Mounting position Upside down
- Mounting position Angle

Controller

- Compact Plus
- Open air cabinet
- Mate cabinet
- A-cabinet
- B-cabinet
- iPendant Touch

Electrical connections

- Voltage 50/60Hz 3phase [V] 200-230
- Voltage 50/60Hz 1phase [V] 0.2
- Average power consumption [kW]

Integrated services

- Integrated signals on upper arm In/Out 4/4
- Integrated air supply 1

Environment

- Acoustic noise level [dB] /
- Ambient temperature [°C] 0-45

Protection

- Body standard/optional IP20
- Wrist & J3 arm standard/optional IP20

● standard ○ on request - not available () with hardware and/or software option